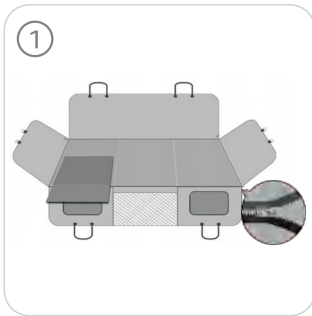
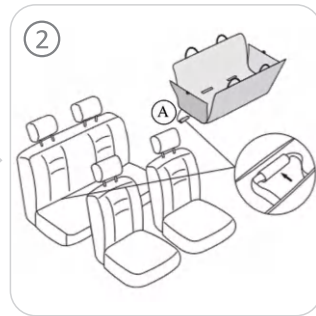


INSTALLATION STEPS



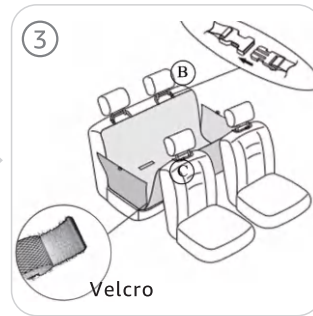
STEP 1:

Keep three PP boards at the bottom when in use.



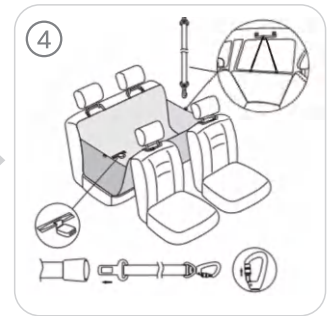
STEP 2:

Attach the anti-slide bottom to the leather seat. Insert seat anchors (A) into the crack between the seat cushion and seat back.



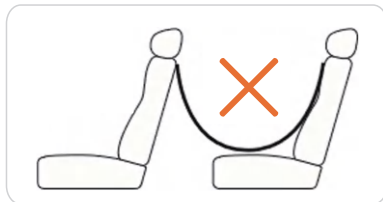
STEP 3:

Tighten all straps (B) and (C) so the bottom of the cover still touches the seat but leaves no slack.



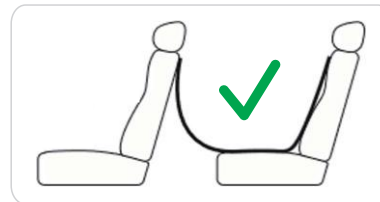
STEP 4:

When using in hammock style: hang the door side straps on the car and hook them on the side panels.



INCORRECT:

The hammock should **NOT** hang above the seat as shown here.



CORRECT:

The hammock should rest on the seat fully as shown here.



Warning: Please adjust the clips of the headrest straps to the appropriate length, please avoid inconsistent tightness on both sides or on the front and rear.

WASHING INSTRUCTIONS

Our product cleaning instructions will help ensure that your hammock has a long exciting life.



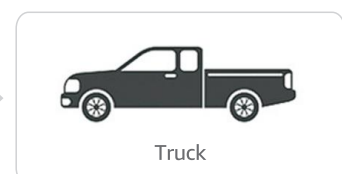
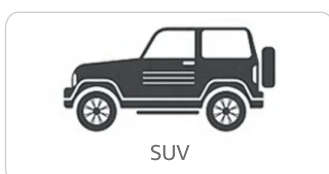
Footprints, saliva, dirt, hair etc, can be easily cleaned with a damp cloth or a hand held vacuum.



For deeper cleaning, we can get rid of the fluff, then rinse the car seat cover with water and then air dry.



Washing hand and hang air-drying is the best way to care for your NZONPET products.



Suitable for various cars