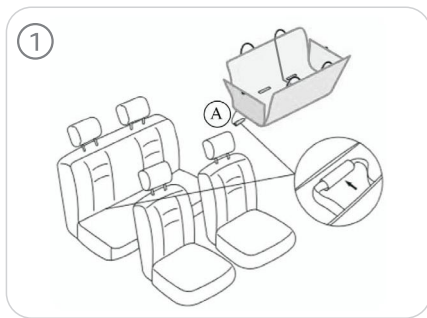
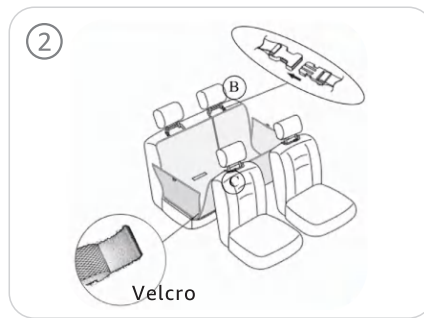


## INSTALLATION STEPS



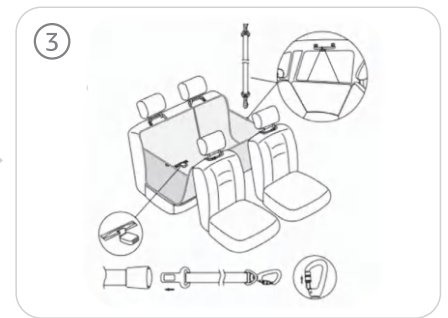
### STEP 1:

Attach the anti-slide bottom to the leather seat. Insert seat anchors (A) into the crack between the seat cushion and seat back.



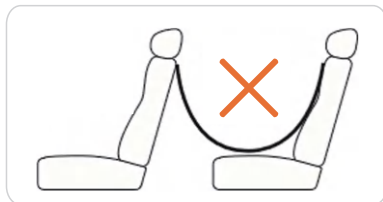
### STEP 2:

Tighten all straps (B) and (C) so the bottom of the cover still touches the seat but leaves no slack.



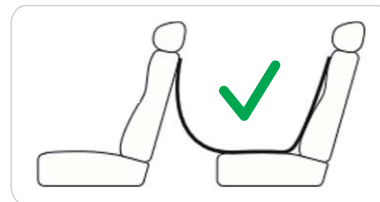
### STEP 3:

When using in hammock style: hang the door side straps on the car and hook them on the side panels.



### INCORRECT:

The hammock should **NOT** hang above the seat as shown here.



### CORRECT:

The hammock should rest on the seat fully as shown here.



### NOTE

**Warning:** Please adjust the clips of the headrest straps to the appropriate length, please avoid inconsistent tightness on both sides or on the front and rear.

## WASHING INSTRUCTIONS

Our product cleaning instructions will help ensure that your hammock has a long exciting life.



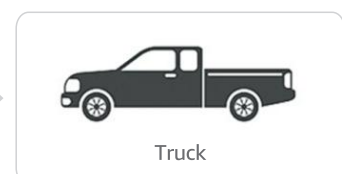
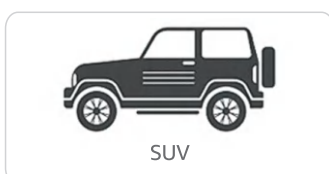
Footprints, saliva, dirt, hair etc, can be easily cleaned with a damp cloth or a hand held vacuum.



For deeper cleaning, we can get rid of the fluff, then rinse the car seat cover with water and then air dry.



Washing hand and hang air-drying is the best way to care for your NZONPET products.



Suitable for various cars