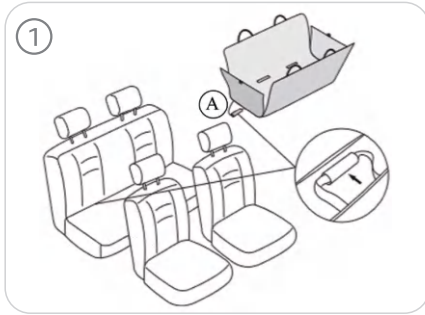
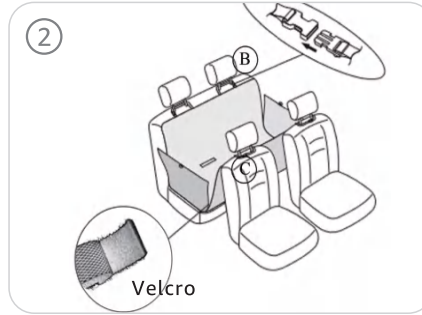


## INSTALLATION STEPS



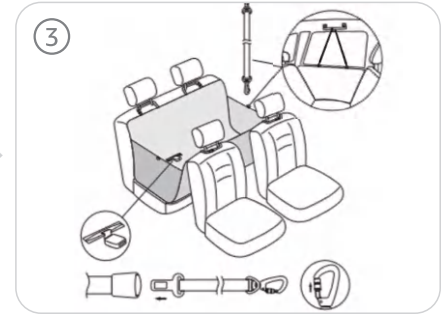
### STEP 1:

Attach the anti-slide bottom to the leather seat. Insert seat anchors (A) into the crack between the seat cushion and seat back.



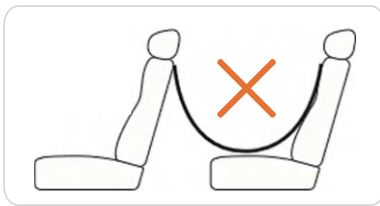
### STEP 2:

Tighten all straps (B) and (C) so the bottom of the cover still touches the seat but leaves no slack.



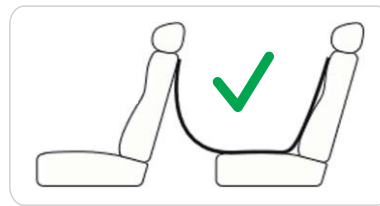
### STEP 3:

When using in hammock style: hang the door side straps on the car and hook them on the side panels.



### INCORRECT:

The hammock should **NOT** hang above the seat as shown here.



### CORRECT:

The hammock should rest on the seat fully as shown here.



**Warning:** Please adjust the clips of the headrest straps to the appropriate length, please avoid inconsistent tightness on both sides or on the front and rear.

## CLEANING

Our product cleaning instructions will help ensure that your hammock has a long exciting life.

In general, washing by hand and hang air-drying is the best way to care for your NZONPET products. Machine wash is also available.

## HAND WASH

1. Brush off loose dirt with a dry brush.
2. Spot clean with a damp sponge, cold water, and mild soap. Avoid harsh detergents.
3. If necessary, rinse the larger area to eliminate excess soap residue.
4. Hang to air dry.

## NOTE

1. Close the seatbelt opening and secure the velcro when not using the seatbelt to avoid dog hair getting caught.
2. If any items are missing from your package, please contact us at [support@nzonpet.com](mailto:support@nzonpet.com). We're available 24/7 to assist you.

**ACTIVATE  
YOUR**



**12-MONTH  
WARRANTY**

**CLAIM  
YOUR**



**EXCLUSIVE  
GIFT**

Register within 7 days after receiving your new product.


**PLEASE VISIT NOW**

 [www.nzonpet.com](http://www.nzonpet.com)

**CUSTOMER SERVICE**

 @nzonpet\_official

 @Nzonpet

 [support@nzonpet.com](mailto:support@nzonpet.com) &  
[wecare@nzonpet.com](mailto:wecare@nzonpet.com)

**A BIG THANK YOU**

We're thrilled that you have chosen to purchase the NZONPET Dog Car Set Cover.

At NZONPET, we're committed to providing you with products that assist you and your pets harmonious life. We also aim to give our customer excellent support.

Should you have any questions or feedback about your new product, simply get in touch with our customer support team by email at [support@nzonpet.com](mailto:support@nzonpet.com).

*Enjoy your new product!*